

**Back**

- o Flat Cable Connectors SEK
- o *har-mik®*
- o D-Sub
- o InduCom

---

- **Applications**

---

## Product details

---

**09 67 509 6758**

### **D-Sub IP 67 PCB connector**

Gender	Female connector, right angled
Protection level	IP 67
Termination	turned solder pins
Number of contacts	9
Shell	tinned metal shell
Board fixing	with bracket and board lock
Flange	Rear blind nut UNC 4-40
Performance level	S4 (0,76 •m Au min)
Insulation material	Thermoplastic, glass-fibre filled, UL 94-V0
Mounting frame	rear plastic mounting plate
Frame material	Thermoplastic, glass-fibre filled, UL 94-V0
Sealing ring	Silicone, glued on frame
RoHS compliant	Yes

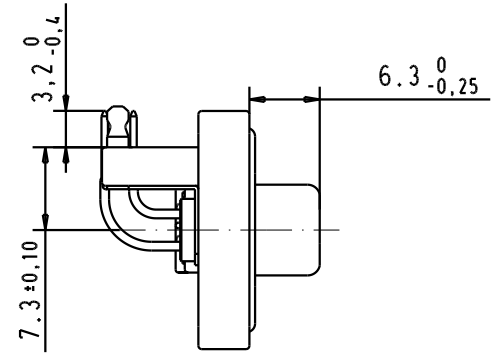
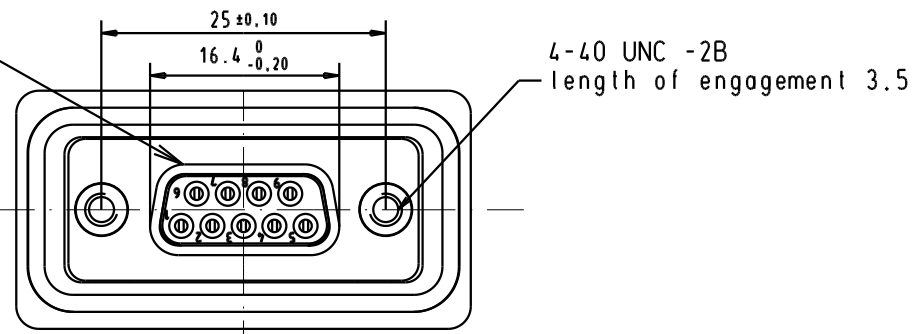
**Inquiry**

### **Available Downloads**

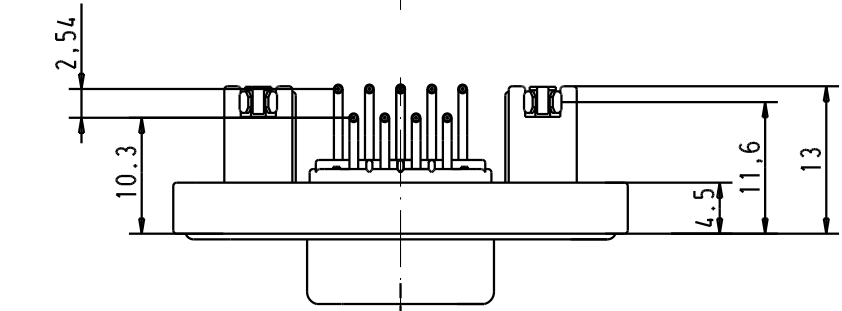
<b>Title</b>	<b>Format</b>
--------------	---------------

5 4 3 2 1

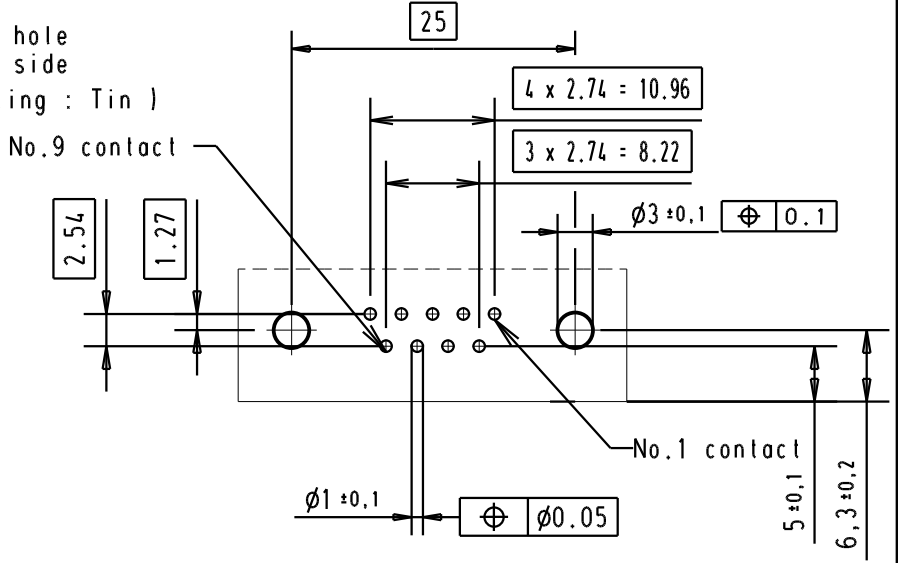
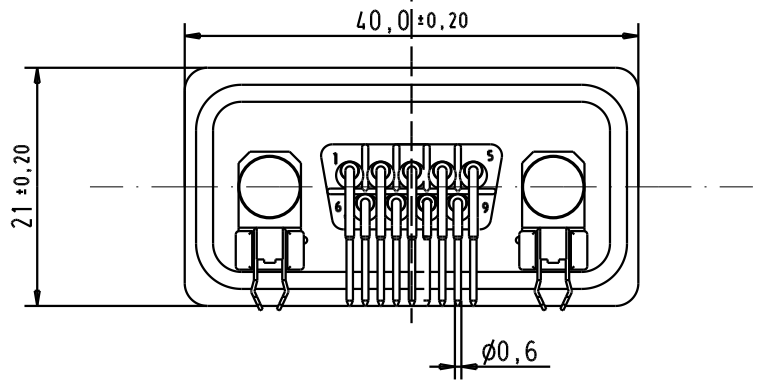
Mating face according to : MIL-C-24308 / DIN 41652 / CECC 75.01-802



1) Protection standard IP 67 according to IEC 529 / DIN 40050.



PCB layout hole component side ( PCB holes plating : Tin )



09 67 509 6758	Au plating 0,76 µm mini
Part Number	Performance Level

	Dat.	Name
Detail.	20/01/04	S.H.
Insp.		
Stand.		
31587	20/01/04	S.H.
Mod.	Dat.	Name

<p>All Dim. in mm Orig. Size DIN A 4</p>	<p>D-SUB IP67 female 09 Poles angled solder pin with bracket and clip for 1.6mm PCB 4-40 UNC nut</p>	<p>Moßstab/ Scale</p>
	<p>HARTING ELEKTRONIK F-95972 Paris</p>	<p>TB 09 67 509 6758</p>
Sub.		Blatt/ Page